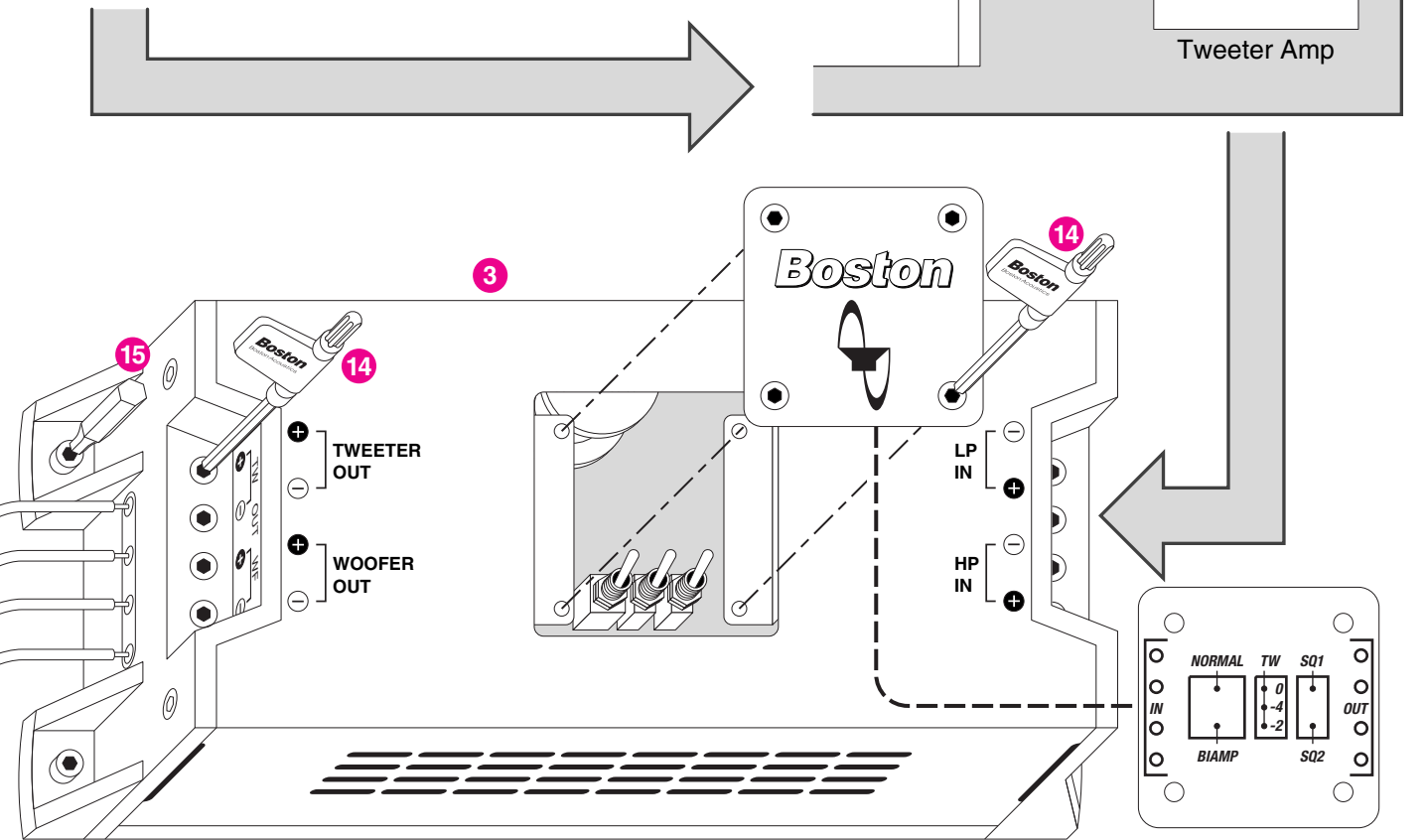
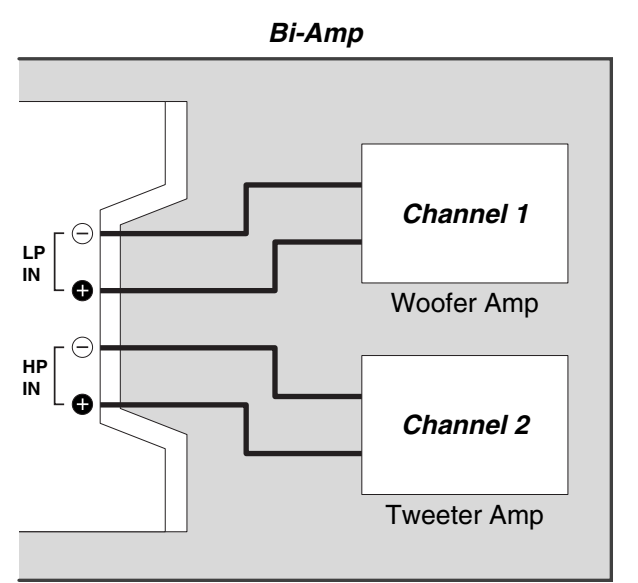
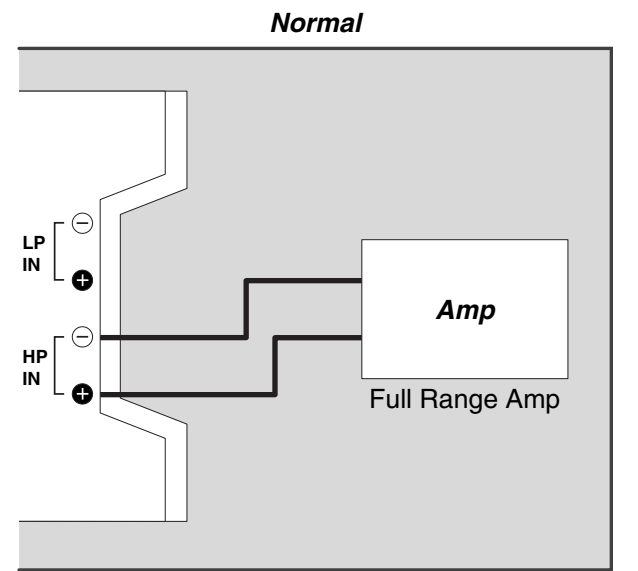
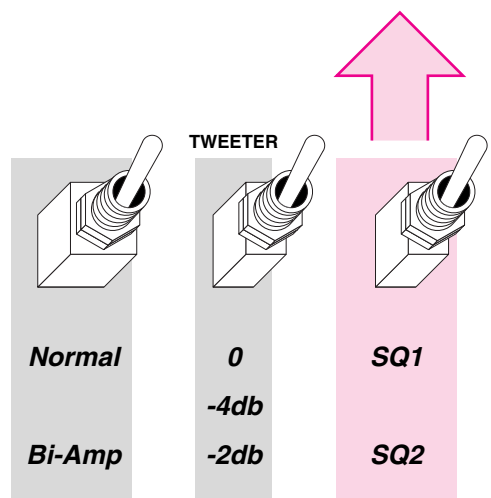
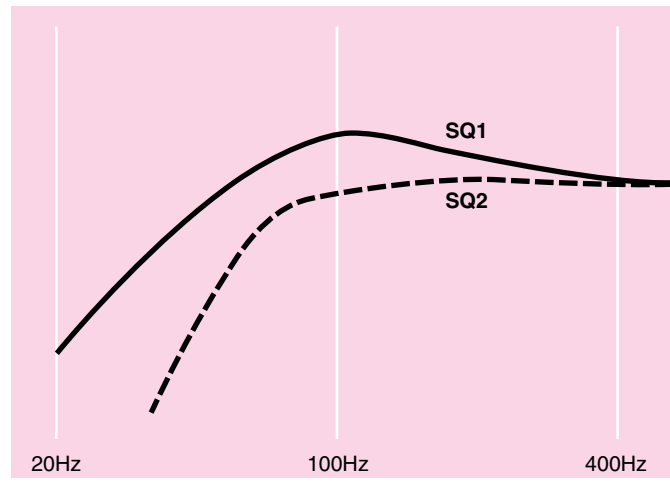
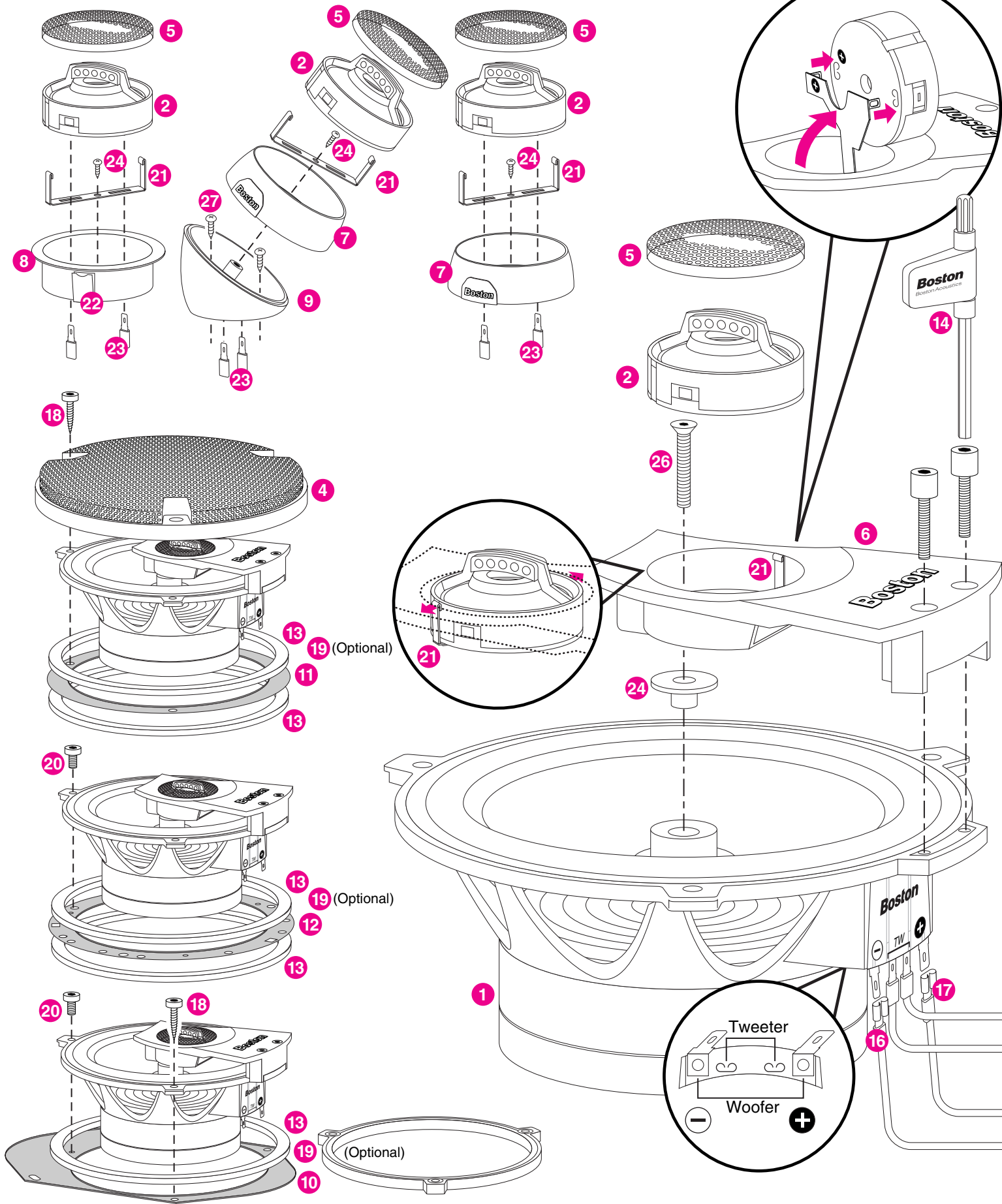
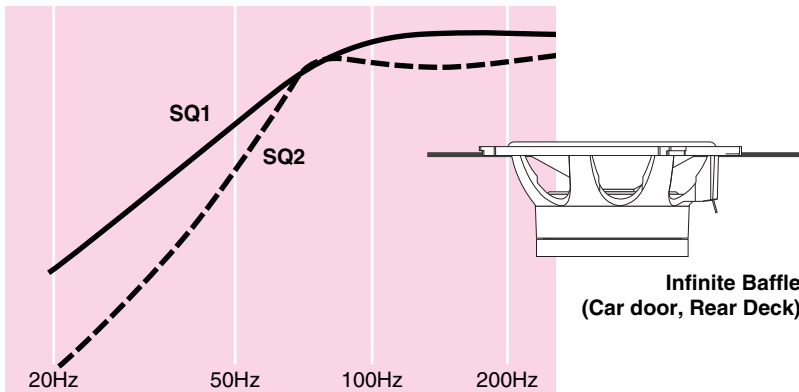
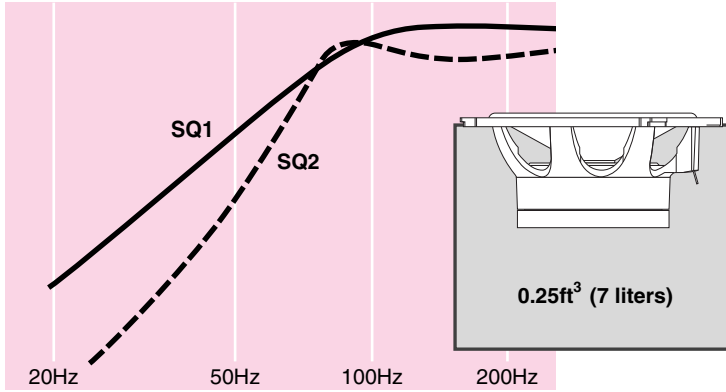
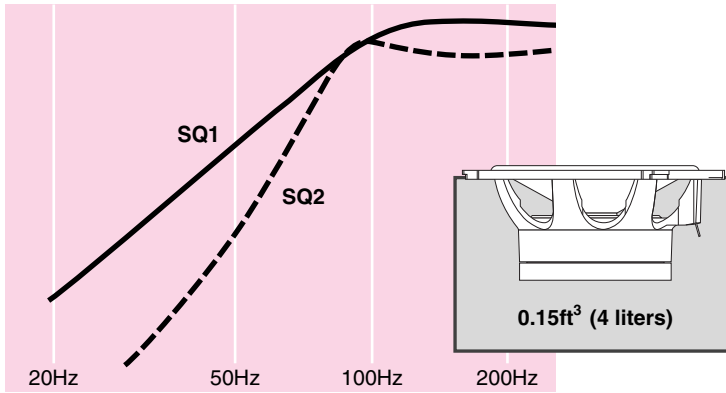


# Key on back page





Specifications	Z6
Nominal Size	6½" (160/165mm)
Recommended Amplifier Power	200–400 watts
Nominal Impedance	3 ohms
Frequency Response	40–22,000Hz
Sensitivity	90dB

#	Description	Quantity
1	Z6 Woofer	2
2	Z6 Tweeter	2
3	Z6 Crossover	2
4	Z6 Woofer Grille	2
5	Tweeter Grille	2
6	Axis Tweeter Mount	2
7	Surface Tweeter Mount	2
8	Flush Tweeter Mount	2
9	Angle Tweeter Mount	2
10	5 x 7 Adapter	2
11	165mm Adapter	2
12	160mm Adapter	2
Not Shown	¾" Pan Head Screw	6
13	Woofer Gasket	4
Not Shown	Woofer Hardware Pack	1
14	Universal Boston Hex Tool	1
15	Hex Bit ⅜"	1
16	Small Gold Terminal	2
17	Large Gold Terminal	2
18	1⅛" Socket Button Head Screw	16
19	½" Spacer	2
Not Shown	1⅛" Socket Button Head Screw	6
20	¼" Socket Button Head Screw	6
Not Shown	Tweeter Hardware Pack	2
21	Metal Clip	2
22	Spring Clip	2
23	Metal Terminal w/ Insulation	4
24	Spacer	2
25	⅜" Pan Head Screw	2
26	1" Pan Head Screw	2
	½" Pan Head Screw	2

Not Shown

