

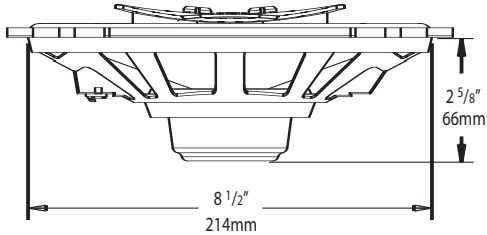
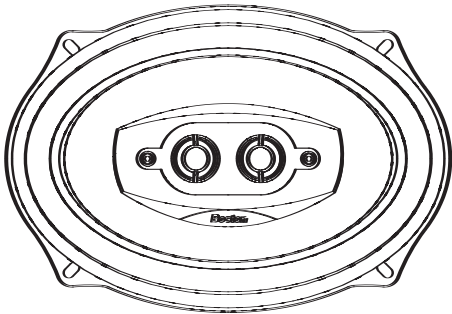


SX95 6 x 9-inch Coaxial Speakers

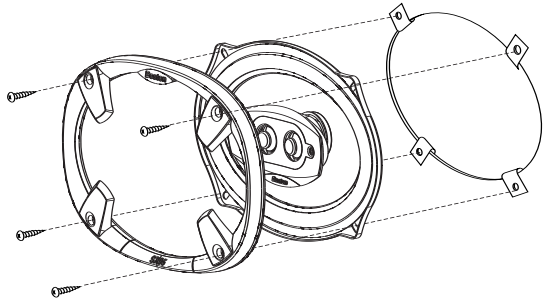
Specifications:	SX95
Nominal Size	6 x 9"
RMS Power Handling	60w
Peak Power Handling	200w
Frequency Response (±3dB)	35-20kHz
Impedance	4Ω
Sensitivity (1w/1M)	92dB

SX95 Speakers Include:		
2	x	½-Inch Spacer
8	x	Hex Head Screw
8	x	Spring Clip
1	x	Hex Key
8	x	2 ⅜-Inch Screws
8	x	Hex Nut
8	x	½-Inch Washer
2	x	Terminated Speaker Wire

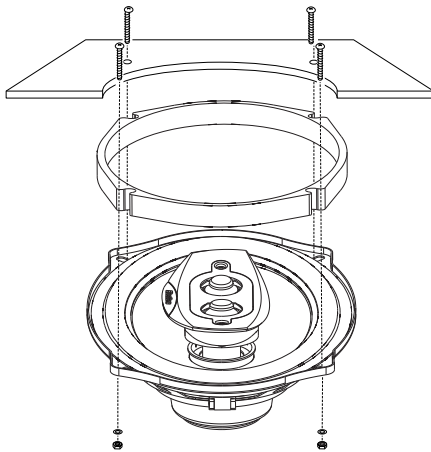
Dimensions



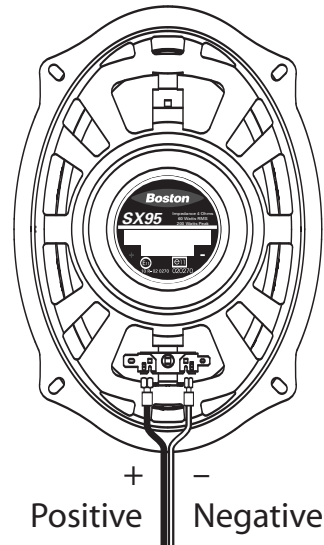
Installation #1



Installation #2



Wiring



Boston Acoustics, Inc. 300 Jubilee Drive Peabody, Massachusetts 01960 U.S.A. bostonacoustics.com © 2005 Boston Acoustics, Inc. All rights reserved. Boston, Boston Acoustics, and the Boston Acoustics logo are registered trademarks of Boston Acoustics, Inc.

