

Boston

SX55 5 1/4-inch (130mm) Coaxial Speakers

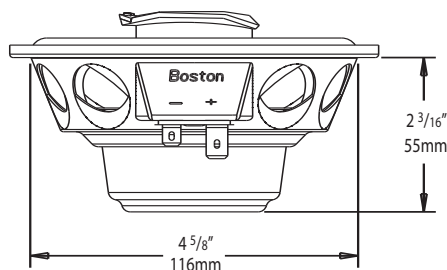
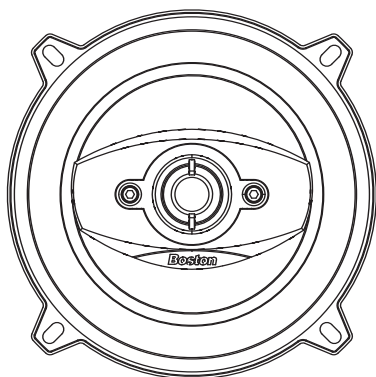
Specifications:

	SX55
Nominal Size	5 1/4" (130mm)
RMS Power Handling	50w
Peak Power Handling	140w
Frequency Response (± 3 dB)	58-20kHz
Impedance	4 Ω
Sensitivity (1w/1M)	90dB

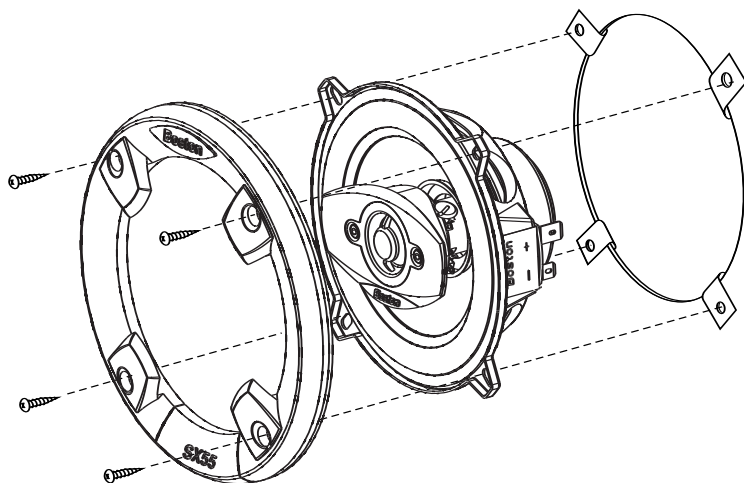
SX55 Speakers Include:

8	x	Hex Head Screw
8	x	Spring Clip
1	x	Hex Key
2	x	Terminated Speaker Wire

Dimensions



Installation



Wiring

