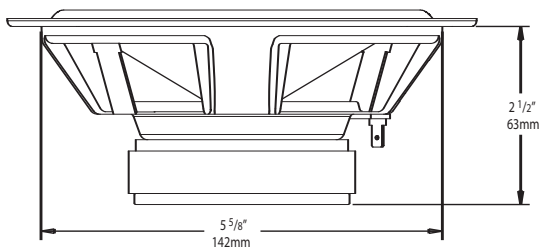
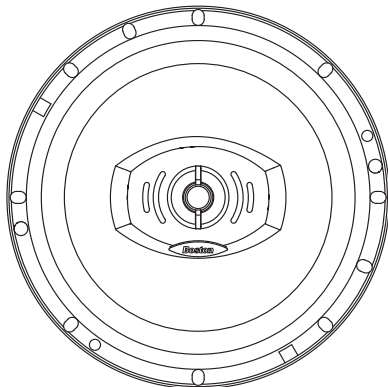


# Boston

**S65 Speakers Include:**

- 2 x Grille
- 8 x Hex Head Screw
- 8 x Spring Clip
- 1 x Hex Key
- 2 x Terminated Speaker Wire
- 4 x 16/18 AWG. Connector Barrel
- 2 x Woofer Gasket

## S65 6 1/2-inch (165mm) Coaxial Speakers

**Specifications:****S65**

Nominal Size	6 1/2" (165mm)
RMS Power Handling	35w
Peak Power Handling	100w
Frequency Response ( $\pm 3$ dB)	58-20kHz
Impedance	4 $\Omega$
Sensitivity (1w/1M)	92dB

**Boston Acoustics, Inc.** 300 Jubilee Drive Peabody, Massachusetts 01960 U.S.A. [bostonacoustics.com](http://bostonacoustics.com)

© 2005 Boston Acoustics, Inc. All rights reserved. Boston, Boston Acoustics, and the Boston Acoustics logo are registered trademarks of Boston Acoustics, Inc.

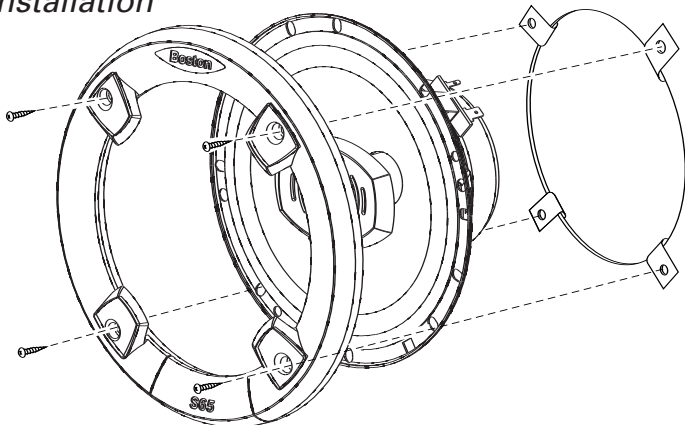
042-002322-2



# Boston

## S65 6 1/2-inch (165mm) Coaxial Speakers

### Installation



### Wiring

