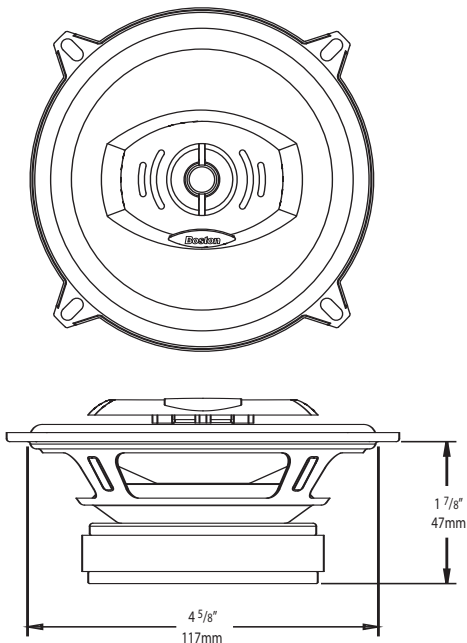


Boston

S55 Speakers Include:

- 2 x Grille
- 8 x Hex Head Screw
- 8 x Spring Clip
- 1 x Hex Key
- 2 x Terminated Speaker Wire
- 4 x 16/18 AWG. Connector Barrel
- 2 x Woofer Gasket

S55 5 1/4-inch (130mm) Coaxial Speakers

**Specifications:****S55**

Nominal Size	5 1/4" (130mm)
RMS Power Handling	35w
Peak Power Handling	100w
Frequency Response (± 3 dB)	60-20kHz
Impedance	4 Ω
Sensitivity (1w/1M)	92dB

Boston Acoustics, Inc. 300 Jubilee Drive Peabody, Massachusetts 01960 U.S.A. bostonacoustics.com

© 2005 Boston Acoustics, Inc. All rights reserved. Boston, Boston Acoustics, and the Boston Acoustics logo are registered trademarks of Boston Acoustics, Inc.

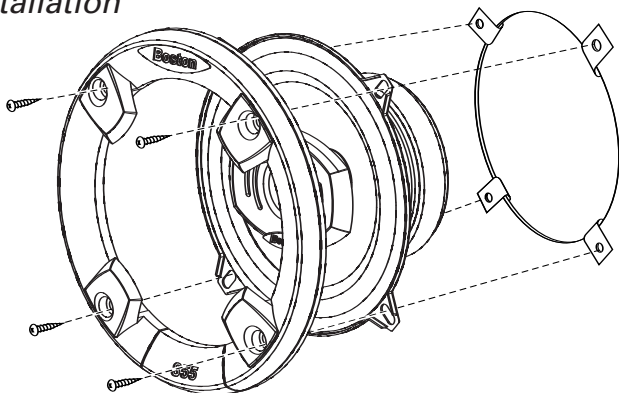
042-002320-1



Boston

S55 5 1/4-inch (130mm) Coaxial Speakers

Installation



Wiring

